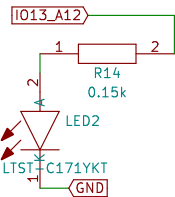
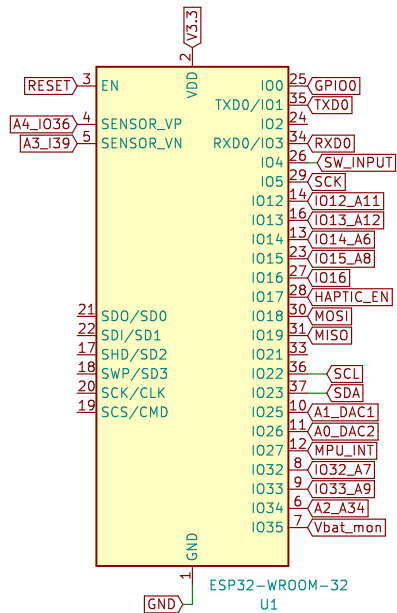


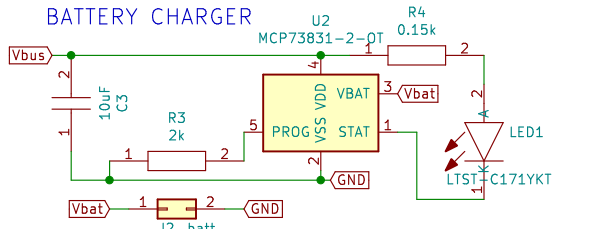
### BLINK LIGHT



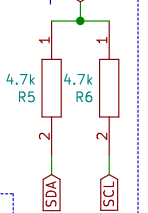
### MICROCONTROLLER



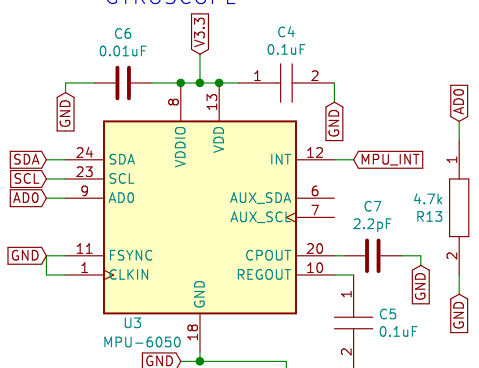
### BATTERY CHARGER



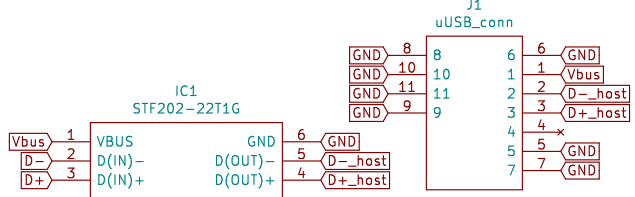
### I2C Pullup



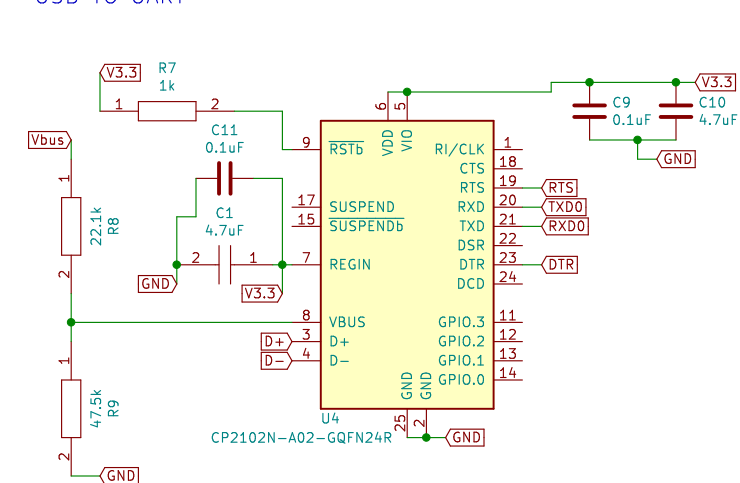
### ACCELEROMETER GYROSCOPE



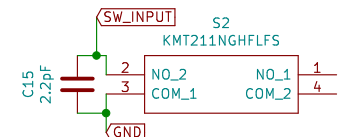
### USB TERMINATION



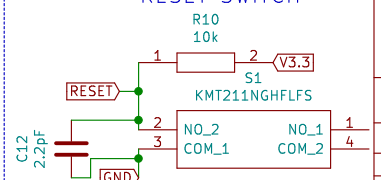
### USB TO UART



### USER INPUT SWITCH



### RESET SWITCH



### AUTO-RESET

